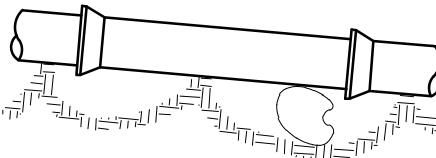


ACCEPTABLE BEDDING

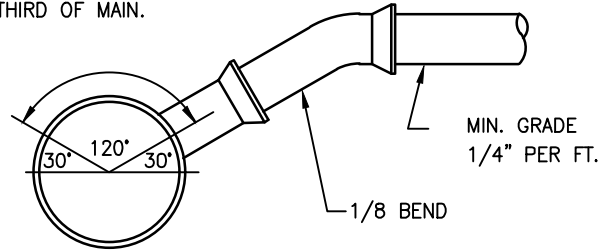


UNACCEPTABLE BEDDING

NOTES:

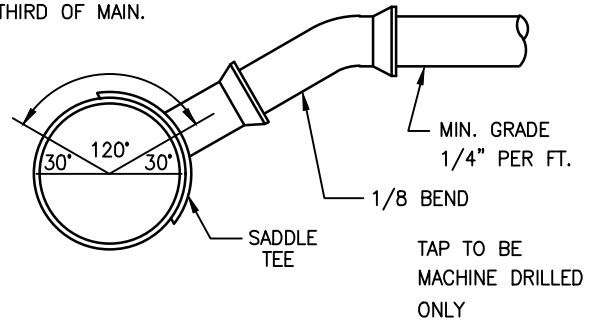
1. BELLS SHALL NOT TOUCH THE SIDES OR BOTTOM OF THE BELL HOLE.
2. THE BARREL SECTION SHALL BE SUPPORTED THROUGHOUT ITS LENGTH.
3. SERVICE TAPS SHALL BE IN-LINE TEE OR MACHINE TAPPED. HAND TAPS SHALL NOT BE ALLOWED.
4. SERVICE LINES SHALL BE LOCATED 5' DOWNHILL FROM CENTERLINE OF THE LOT AND A MINIMUM OF 10' FROM THE WATER SERVICE LINE.
5. THE MIN. SERVICE LINE GRADE SHALL BE 1/4" PER FT.
6. JOINTS SHALL BE WATER TIGHT.
7. WHEN SERVICE STUB-INS ARE INSTALLED WITH THE SEWER MAIN, THEY SHALL BE EXTENDED AT LEAST TO PROPERTY LINE AND SHALL BE PLUGGED. THE STUB SHALL BE MARKED WITH A 2x4 MARKER FOR LOCATION END.

CENTER OF TEE BRANCH TO BE PLACED IN UPPER THIRD OF MAIN.

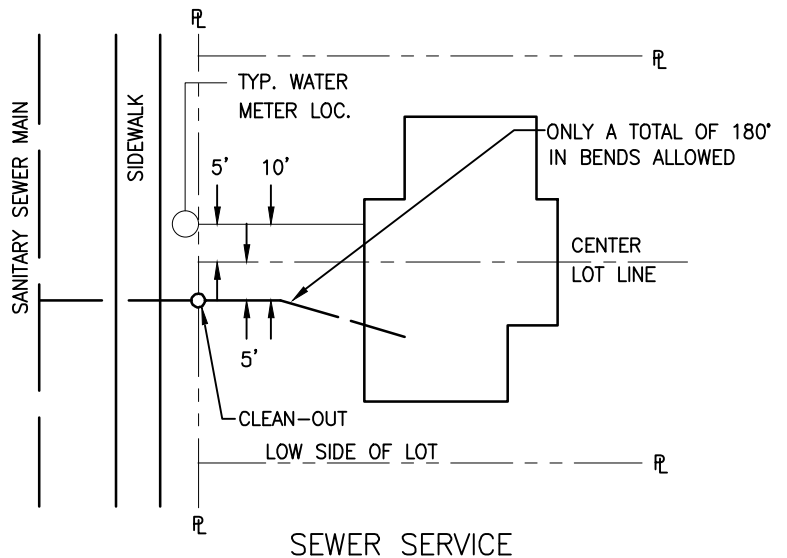


1/8 BEND CONNECTION TO TEE (FOR MAIN LINE CONSTRUCTION)

CENTER OF TEE BRANCH TO BE PLACED IN UPPER THIRD OF MAIN.



1/8 BEND & SADDLE CONNECTION (FOR EXISTING MAIN LINES)



REVISION DESCRIPTION

MERRICK PROJECT NO. 65418429

DRAWN LDL



MERRICK

5970 Greenwood Plaza Blvd, Greenwood Village, CO. 80111

**BEAR CREEK WATER & SANITATION DISTRICT
STANDARD SEWER SERVICE LINE
CONNECTION**

DATE: OCTOBER 1, 2018

SCALE: N/A

SHEET 1 OF 1