

PROJECT

Phillips County plans to construct a new 250' x 350' covered pavilion and education center at the Phillips County Fairgrounds. Features of the pavilion will include a large 160' x 200' arena, pens for all animal species shown at the fair, and bleachers for spectators.



Phase II will add an office, restrooms, storage, and a concessions stand.

HISTORY

The existing Phillips County fairgrounds exhibit buildings have served county residents since the late 1940's.

The west beef barn and the horse barn are well beyond their useful life. They, along with the sale arena, the scale house, and the metal structure used to fit cattle, will all be taken down to make space for the new structure.

COMMUNITY SURVEY

In March of 2014, 71% of County respondents indicated that if funds are available, a new multi-purpose building should be built.

PURPOSE

The Phillips County Fairgrounds Pavilion and Education Center will provide facilities for a number of events. Along with the Event Center, it will offer an opportunity to host regional events and showcase our county.

- ◆ 4-H and open-class exhibits at the Phillips County Fair
- ◆ Special youth activities
- ◆ Rodeo events
- ◆ Livestock sales
- ◆ Farm shows
- ◆ Sporting events
- ◆ Judging clinics
- ◆ Commercial trade shows
- ◆ Economic development shows
- ◆ Weddings
- ◆ Country dances
- ◆ Therapeutic horseback riding

TAX BENEFIT

The Event Center project has been approved as a Northeast Colorado Enterprise Zone Project. A contribution can relieve your state tax liability by a minimum of 25 percent.

COMMITTEE

The Fairground Pavilion Fundraising Committee is composed of Co-Chairs Mendi Lutze and Tim Becker, Jeff Plumb, Kindra Plumb, Marla Camblin, Doug Larson, Casey Blake, Kayla Kafka, Gale Wiebers, Bud Bieseimer, Chance Kramer, Kay Schmidt, Randy Schafer and the County Commissioners Don Lock, Harlan Stern, and Joe Kinnie.

YOUR SUPPORT

With the cost estimate for the Phillips County Fairgrounds Pavilion and Education Center at 2.4 million, our Grants Committee is seeking funding from a number of foundations and grantors. The County Commissioners have set a goal to raise 15 (approx.) percent of the needed funds, or \$360,000 locally. This is where you come in. We need your help.

I believe in this project. I would like to invest in the future of Phillips County. Here is my pledge/donation.

One time gift of _____ (attach check)

Total Pledge of _____ paid over for _____ years
(Up to 5)

Name _____

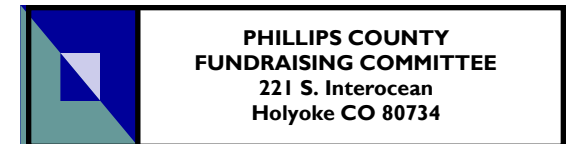
Address _____

Phone _____

Email _____

Tax ID # (EZ credit only) _____
If you wish to receive the enterprise zone tax credit, please make check out to Phillips County / NECALG

Please mail pledge or donation to:



**PHILLIPS COUNTY
FUNDRAISING COMMITTEE
221 S. Interocean
Holyoke CO 80734**

**Raising
the
Roof**

**Commissioners
Harlan Stern
Joe Kinnie
Don Lock**

VISION

Phillips County is a small but vibrant county with Colorado pride. Current population is close to 4,600.

Our local economy is based on farming, with our livelihood depending on the abundance of crops raised in the area. In the same manner that we build granaries to store our crops, we want to Raise the Roof on the Phillips County Fairgrounds Pavilion for the vitality of our county.

Working together to Raise the Roof will provide our county with:

- ◆ *A showcase for youth and their projects at the county fair*
- ◆ *A much-needed gathering place for our rural communities to learn, grow and prosper*
- ◆ *A place to educate the world and ourselves on how to conserve and preserve the land that feeds us*
- ◆ *A place for education for all ages*
- ◆ *A place to enjoy each other and our guests*

The Phillips County Fairgrounds pavilion will unfold as a place of prosperity and growth for the county that we call home.

Planned features of the Phillips County Fairgrounds Pavilion and Education Center:

- ◆ Covered pavilion 250' x 350'
- ◆ Pens for all animal species shown at the Fair
- ◆ Bleachers for spectators
- ◆ Restrooms
- ◆ Office
- ◆ Storage
- ◆ Concession Stand/Kitchen

PHILLIPS COUNTY

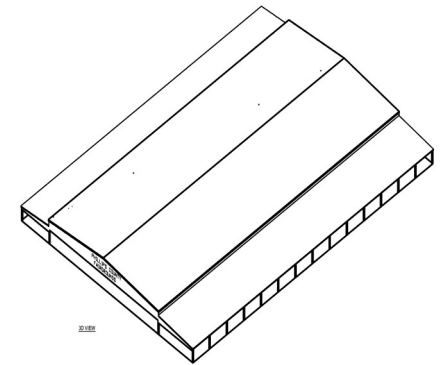
221 South Interocean Ave
Holyoke, CO 80734
Phone: 970-854-2454
Fax: 970-854-3811

Email: randy.schafer@phillipscounty.co

Raise the Barn

Phillips County
Fairgrounds Pavilion
Project

*Phillips County Fairgrounds
Pavilion and Education Center*



2017

PHILLIPS COUNTY

970-854-2454