

INSTALLING YOUR WOOD STOVE

THE BASICS

- Any solid fuel burning appliance installed in a manufactured home must be listed and labeled for *Mobile Home Installation*.
- Begin your installation by determining the manufacturers recommendations for clearances by reading the installation manual, or the data plate attached to the stove. This will give you the clearances from the front, top, and rear of the unit. Dry wall is considered a combustible material and it is suggested that you use hardy backer or similar material when required.
- Clearances may be reduced with the addition of non-combustible wall treatment. You will need to contact the building department for the specifics.

FLUE FACTS

- Flue material must be listed and labeled for its intended use for solid fuel, oil, or pellet stoves. Typically flue for solid fuel is either triple wall or double wall insulated. Type "L" is used for pellet stoves. Always check the installation manual or your supplier for additional information.
- Solid fuel flues require a minimum of 2" clearance from combustibles and must extend at least 2 feet above any portion of the roof within 10' horizontally, but in no case less than 3 feet.
- The flue cannot be less than the size of the connector or flue collar on the appliance and not larger than three times the area of the flue collar.

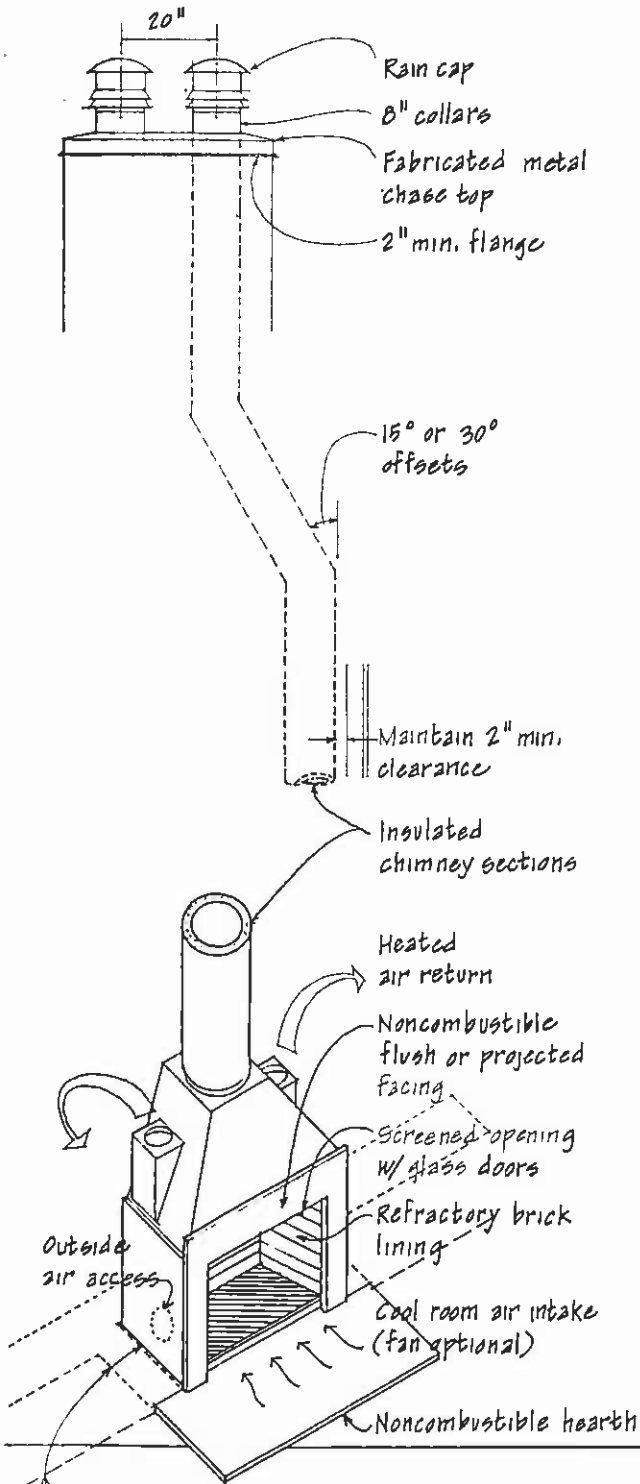
ALL ABOUT HEARTHES

- A hearth of non-combustible approved material must extend a minimum of 16" in front of the opening and at least 8" on either side.
- The minimum thickness of the hearth shall be 2" unless the firebox is at least 8" above the hearth; in such cases the hearth may be not less than 3/8" thick, and must be brick, concrete, stone, tile or other approved material.

COMBUSTION AIR

- Combustion air shall be supplied directly from the exterior or from a space within the home that is *vented* to the outside, such as a crawl space or attic.

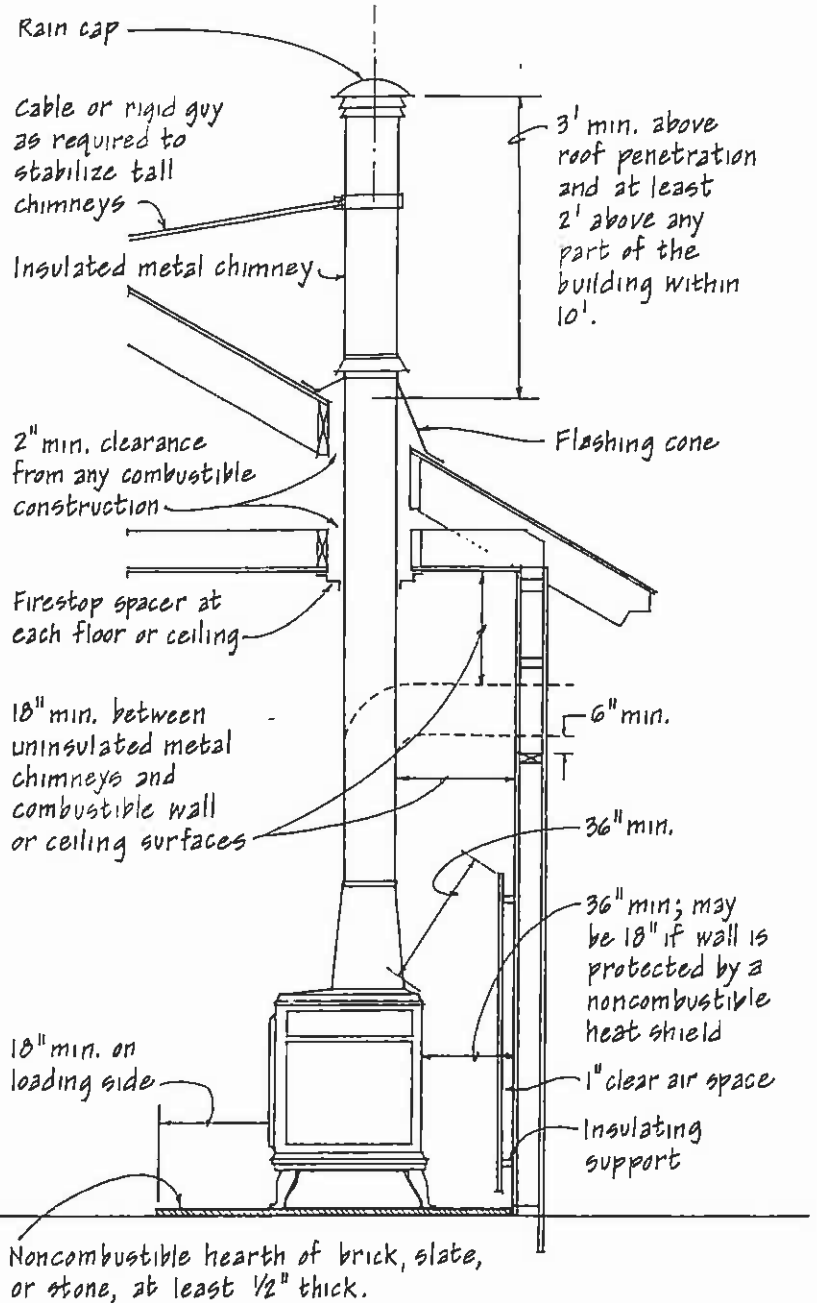
PREFABRICATED FIREPLACES AND STOVES



Zero-clearance models have insulated shells and may be installed against combustible framing.

Typical widths: 36", 38", 42", 46", 48", 54"
 Typical heights: 30", 32", 36"
 Typical depth: 24"

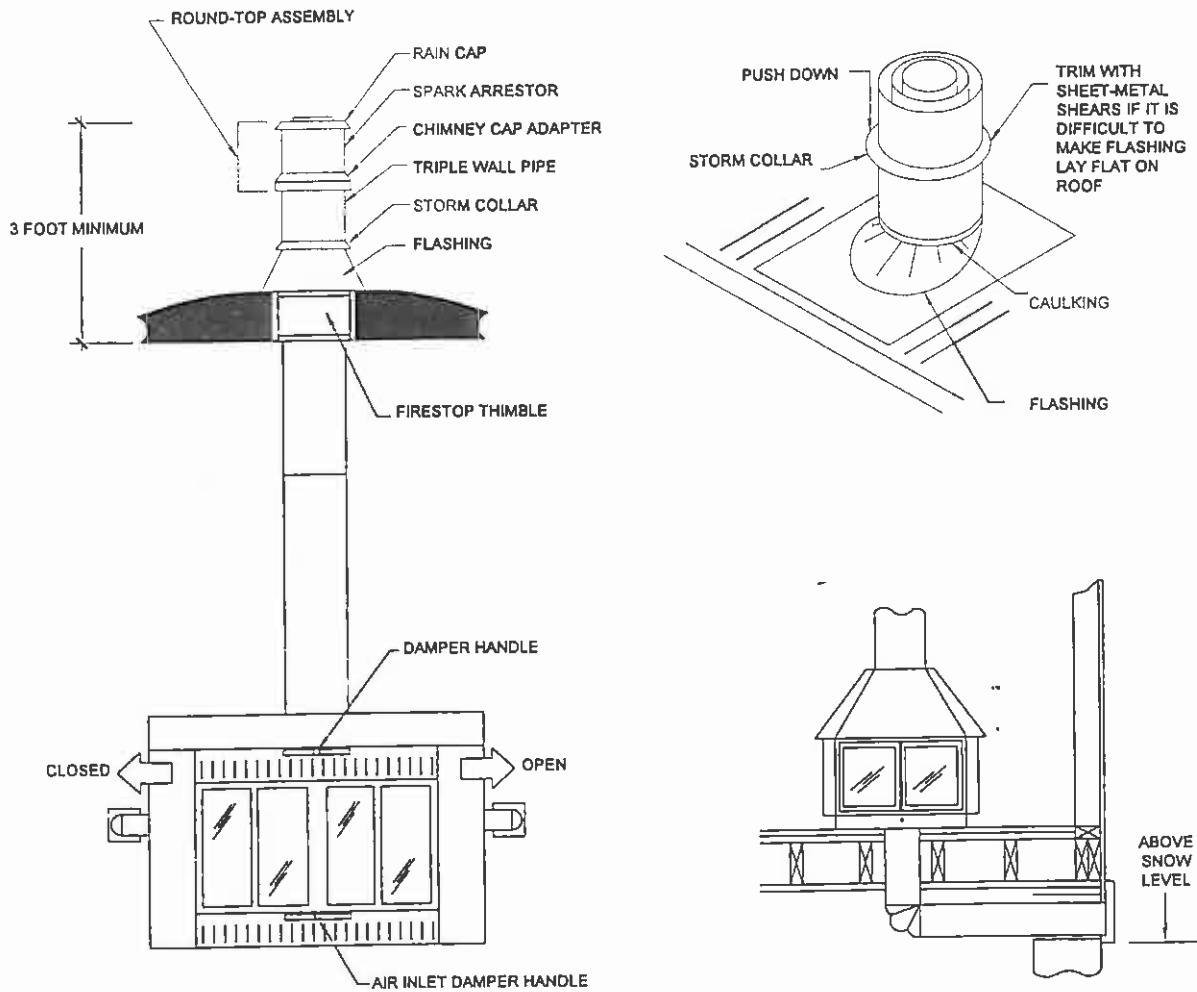
PREFABRICATED FIREPLACES



- Consult manufacturer and local codes for installation details and requirements.

WOODBURNING STOVES

FIGURE 7.4 - FIREPLACE CHIMNEY AND AIR INTAKE INSTALLATION



OVER BASEMENT OR CRAWL SPACE INSTALLATION